



PassivePAQ Linear for Daisy DATASHEET

PassivePAQ Linear ½ ft. for DAISY optics
PassivePAQ Linear 1 ft. for DAISY optics
PassivePAQ Linear 2 ft. for DAISY optics

PRODUCT DESCRIPTION

DA-Group’s PassivePAQ linear for LEDiL® DAISY optics offers a flexible solution for various applications and needs when using LEDiL® DAISY optics. These Passive-PAQ boards support multiple different lengths of luminaires and enable a wide selection of lumen output packages. These boards also support two channel tunable white operation and double lumen package option when all LEDs are with same CCT and channels have been combined on the board. These boards offer premium class office lighting with low UGR when combined with LEDiL® DAISY optics.

5 YEARS LIMITED WARRANTY

DA-Group takes pride in the quality of its products. We not only develop all products in house, they are also produced in our own manufacturing plants to ensure guaranteed reliability and performance. DA-Group’s PassivePAQ modules come with the assurance of 5 years warranty. For details and conditions please refer to our warranty policy.

CERTIFICATES AND STANDARDS



KEY FEATURES

- Optimized for LEDiL® DAISY linear optics
- Best in class 3030 LEDs
- Beam angle of 120°
- Excellent Light Uniformity
- Efficacy up to 225 lm/W
- Small colour tolerance (SDCM < 3)
- Various CCT’s available 2200K, 2700K, 3000K, 4000K, 5000K, 5700K, 6500K
- CRI 80, CRI 90 available upon request
- Single / Dual channel / Double output
- Tunable White 2200K-6500K / 2700K-6500K
- > 1 W / mK PCB laminate for optimal thermal performance
- Enables 4 ft. luminaires with SELV voltage < 60 V and 10000 lumen light output with optics
- Simple installation of optics and module with M3 screws
- TM-21-11 L70 lifetime > 72 000 h @ Tc max +85 °

TECHNICAL DATA *

Parameter	Unit	PassivePAQ Linear ½ ft.	PassivePAQ Linear 1 ft.	PassivePAQ Linear 2 ft.
Dimensions	mm	150 x 35 x 1,6	274 x 35 x 1,6	554 x 35 x 1,6
CRI		> 80	> 80	> 80
CCT	K	4.000	4.000	4.000
Standard deviation of color matching	MacAdam SDCM	< 3	< 3	< 3
Max current per channel	mA	700	350	700
Nominal voltage	V	5,5	19,5	19,5
Max lumen output per channel	lm	750 ± 5%	1.350 ± 5%	2.650 ± 5%
Efficacy	lm/W	196	196	196
Beam angle	deg	120	120	120
LED type		Samsung LM301B	Samsung LM301B	Samsung LM301B
Max No. of LEDs / module		16	28	56
Connector type		BJB NANO 46.141.1001	BJB NANO 46.141.1001	BJB NANO 46.141.1001
PCB Material		CEM-3 HT	CEM-3 HT	CEM-3 HT
Solder mask color		White	White	White
Backside PCB copper plated		No	No	No
Tc Max	°C	85	85	85
Conformity		CE / ROHS	CE / ROHS	CE / ROHS
Uopen	V	430	430	430
Uopen between channels	V	150	150	150

*Typical values @ Tc 55°C

PassivePAQ Linear ½ ft. *

		High Efficiency mode			Normal mode		Double lumen variant		
		350 / channel			700 / channel		1400 / board, channels combined		
Drive current	mA	4000 K	2700 K	6500 K	2700 K	6500 K	4000 K	2700 K	6500 K
	CCT	4000 K	2700 K	6500 K	2700 K	6500 K	4000 K	2700 K	6500 K
Luminous flux per channel	lm	400	360	400	690	750	1500	1350	1500
Efficacy	lm/W	213	191	213	176	196	196	176	196
Forward voltage (Vf) per channel **	V	5,1 – 5,9	5,1 – 5,9	5,1 – 5,9	5,3 – 6,1	5,3 – 6,1	5,3 – 6,1	5,3 – 6,1	5,3 – 6,1
Power consumption per channel	W	1,9	1,9	1,9	3,9	3,9	7,8	7,8	7,8

* Typical values @ Tc +55°C

** Absolute max voltage, calculated at Tc -40°C and absolute min voltage, calculated at Tc +85°C

PassivePAQ Linear 1 ft. *

		High Efficiency mode			Normal mode		Double lumen variant		
		175 / channel			350 / channel		700 / board, channels combined		
Drive current	mA	4000 K	2700 K	6500 K	2700 K	6500 K	4000 K	2700 K	6500 K
	CCT	4000 K	2700 K	6500 K	2700 K	6500 K	4000 K	2700 K	6500 K
Luminous flux per channel	lm	700	630	700	1200	1350	2650	2400	2650
Efficacy	lm/W	213	191	213	176	196	196	176	196
Forward voltage (Vf) per channel **	V	17,8 – 20,5	17,8 – 20,5	17,8 – 20,5	18,5 – 21,3	18,5 – 21,3	18,5 – 21,3	18,5 – 21,3	18,5 – 21,3
Power consumption per channel	W	3,3	3,3	3,3	6,8	6,8	13,5	13,5	13,5

* Typical values @ Tc +55°C

** Absolute max voltage, calculated at Tc -40°C and absolute min voltage, calculated at Tc +85°C

PassivePAQ Linear 2 ft. *

		High Efficiency mode			Normal mode		Double lumen variant		
		350 / channel			700 / channel		1400 / board, channels combined		
Drive current	mA	4000 K	2700 K	6500 K	2700 K	6500 K	4000 K	2700 K	6500 K
	CCT	4000 K	2700 K	6500 K	2700 K	6500 K	4000 K	2700 K	6500 K
Luminous flux per channel	lm	1400	1250	1400	2400	2650	5350	4800	5350
Efficacy	lm/W	213	191	213	176	196	196	176	196
Forward voltage (Vf) per channel **	V	17,8 – 20,5	17,8 – 20,5	17,8 – 20,5	18,5 – 21,3	18,5 – 21,3	18,5 – 21,3	18,5 – 21,3	18,5 – 21,3
Power consumption per channel	W	6,5	6,5	6,5	13,5	13,5	27	27	27

* Typical values @ Tc +55°C

** Absolute max voltage, calculated at Tc -40°C and absolute min voltage, calculated at Tc +85°C

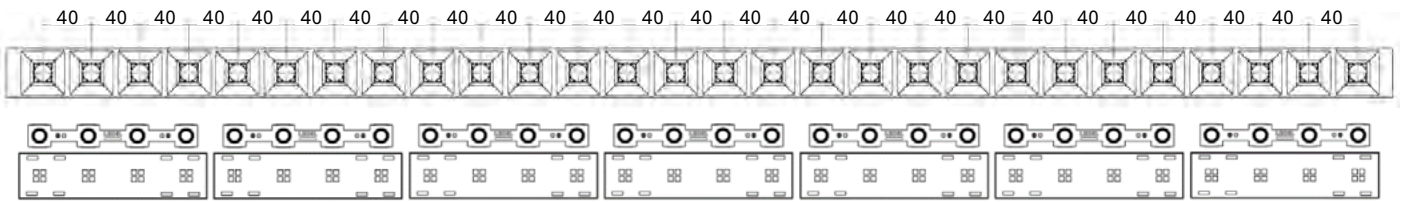
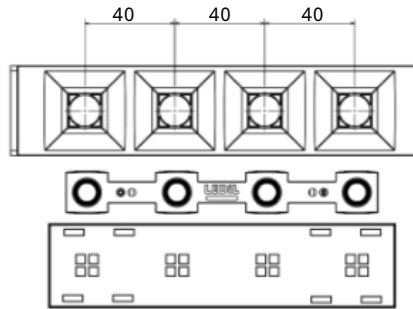
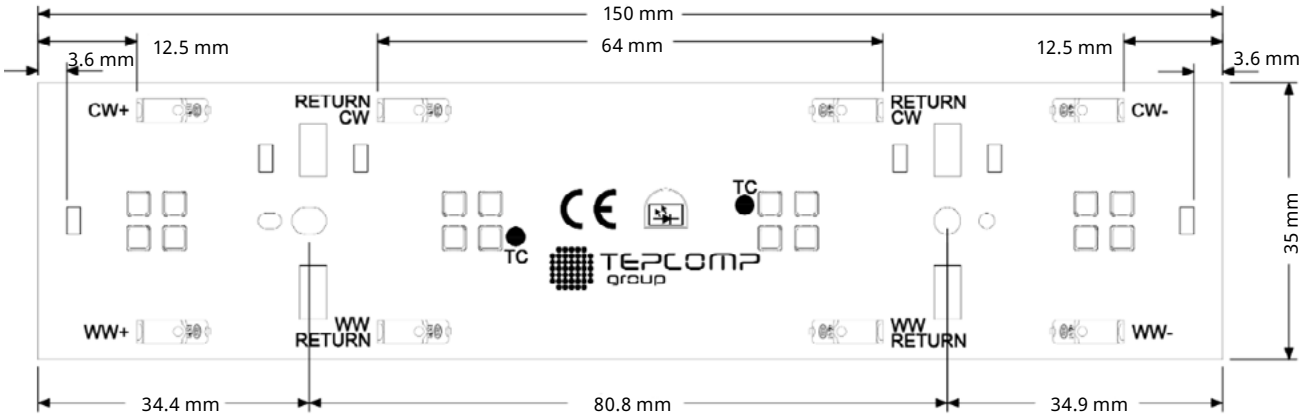
ORDERING DATA

Product description	Ordering code
PassivePAQ Linear ½ ft. for DAISY, Double Lumen 4000K, CRI80	VP500298
PassivePAQ Linear 1 ft. for DAISY, Double Lumen 4000K, CRI80	VP500299
PassivePAQ Linear 2 ft. for DAISY, Double Lumen 4000K, CRI 80	VP500302
PassivePAQ Linear ½ ft. for DAISY, Tunable White 2700K & 6500K, CRI80	VP500400
PassivePAQ Linear 1 ft. for DAISY, Tunable White 2700K & 6500K, CRI80	VP500401
PassivePAQ Linear 2 ft. for DAISY, Tunable White 2700K & 6500K, CRI80	VP500402
PassivePAQ Linear ½ ft. for DAISY, Single Channel 4000K, CRI80	TBD
PassivePAQ Linear 1 ft. for DAISY, Single Channel 4000K, CRI80	TBD
PassivePAQ Linear 2 ft. for DAISY, Single Channel 4000K, CRI80	TBD

Please contact DA-Group sales for other configurations of these boards. These boards can be mounted with Samsung's LM301B LEDs with all available CCT's, CRI's and SDCM performance and not all possible combinations are listed above.

MECHANICAL DRAWINGS AND OPTICS COMBINATION EXAMPLES

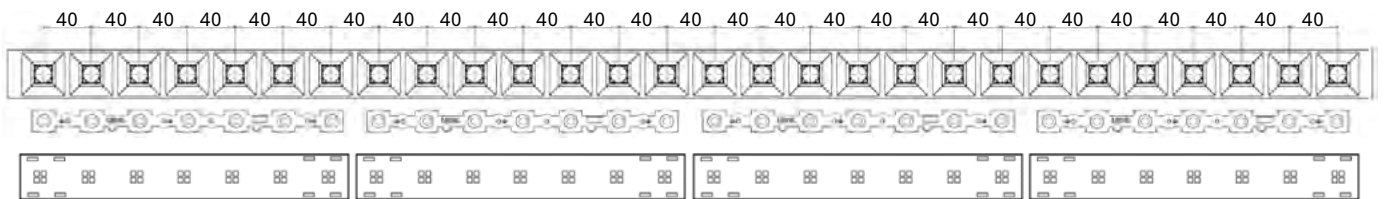
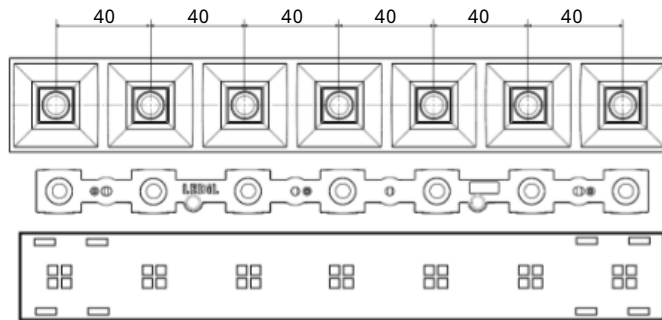
PassivePAQ Linear ½ ft. for DAISY optics



Above shown example of 7x PassivePAQ Linear ½ ft. for DAISY boards and LEDiL® DAISY lenses and shades would produce a combination for total lumen output of around 10000 lumens when using double lumen PassivePAQ LED boards with 4000K CRI80 LEDs and 1400 mA drive current.

MECHANICAL DRAWINGS AND OPTICS COMBINATION EXAMPLES

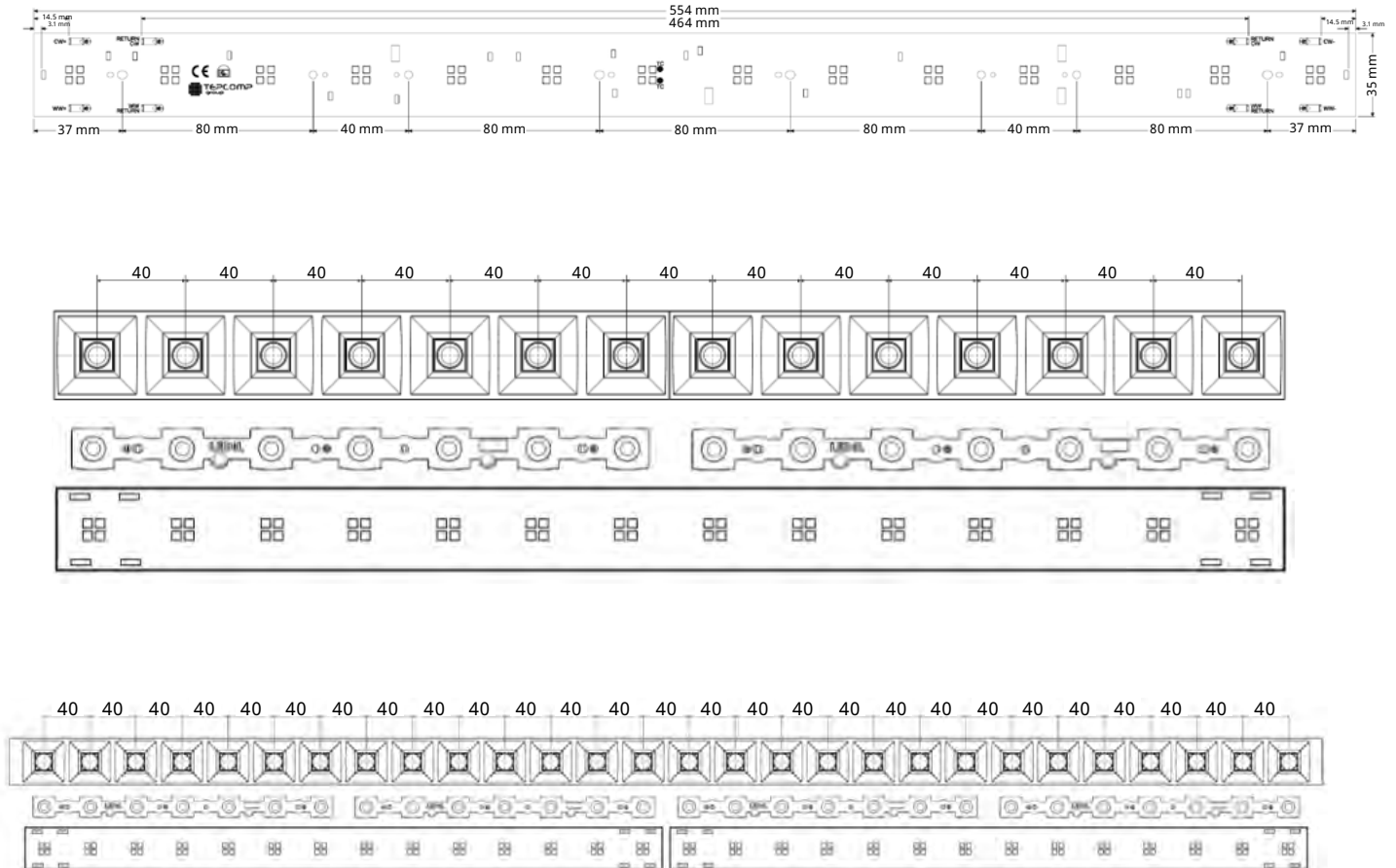
PassivePAQ Linear 1 ft. for DAISY optics



Above shown example of 4x PassivePAQ Linear 1 ft. for DAISY boards and LEDiL® DAISY lenses and shades would produce a combination for total lumen output of around 10000 lumens when using double lumen PassivePAQ LED boards with 4000K CRI80 LEDs and 700 mA drive current.

MECHANICAL DRAWINGS AND OPTICS COMBINATION EXAMPLES

PassivePAQ Linear 2 ft. for DAISY optics



Above shown example of 2x PassivePAQ Linear 2 ft. for DAISY boards and LEDiL® DAISY lenses and shades would produce a combination for total lumen output of around 10000 lumens when using double lumen PassivePAQ LED boards with 4000K CRI80 LEDs and 1400 mA drive current.

Copyright © 2022 DA-Group. All rights reserved.

Specifications and designs are subject to change without notice. Nonmetric weights and measurements are approximate. All data were deemed correct at time of creation. DA-Group is not liable for errors or omissions. All brand, product, service names and logos are trademarks and/or registered trademarks of their respective owners and are hereby recognized and acknowledged.

Version 1.0 16/09/22

